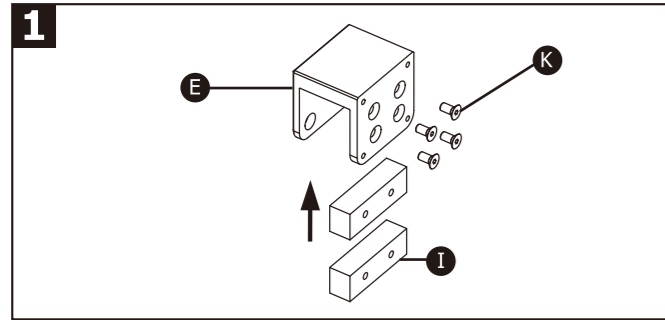
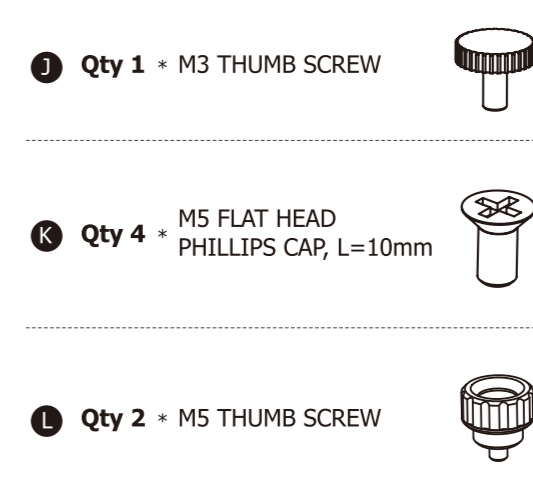
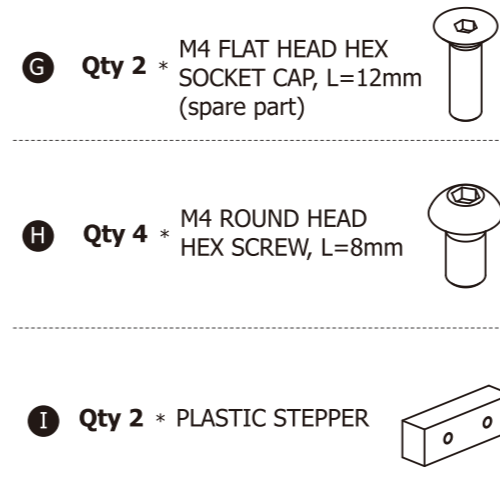
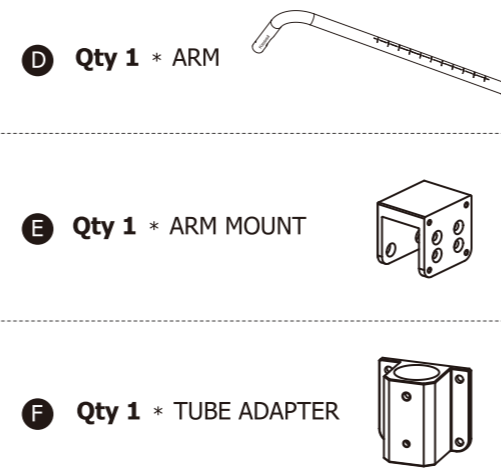
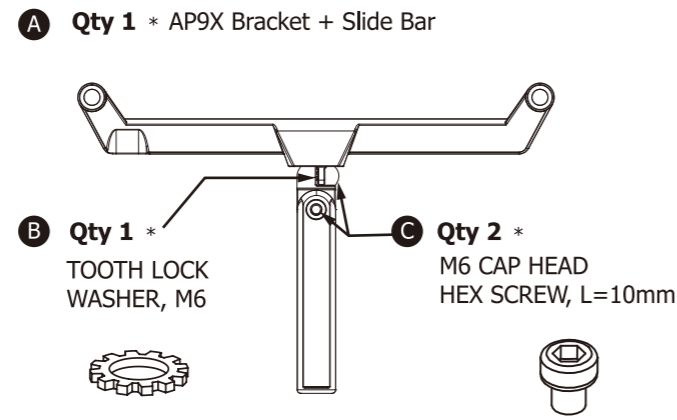


AP9X

Mounting Arm

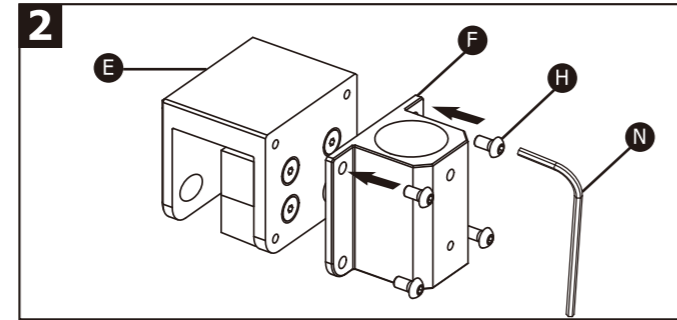
Quick Start Guide

AP9X Installation Instructions

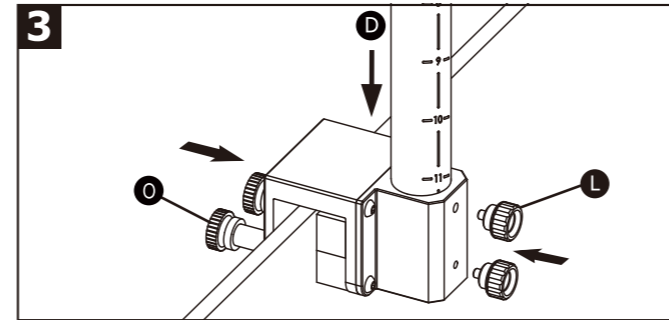


Insert two Steppers (I) into the Arm Mount (E) and secure them with four M5 Phillips Cap screws (K), using a Phillips screwdriver.

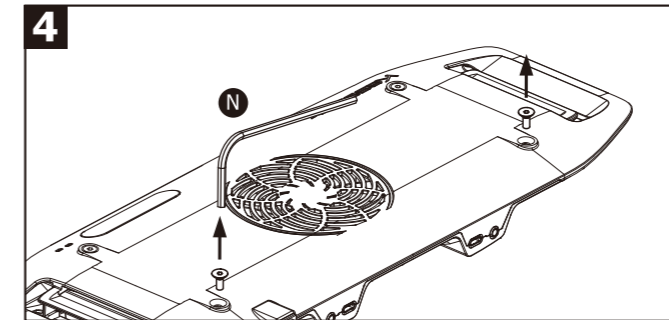
Optional. Recommended for rimless aquariums.



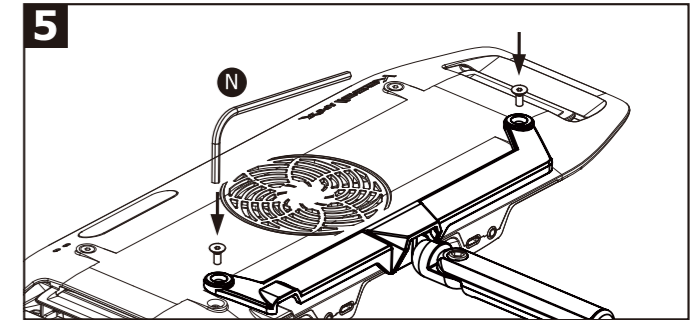
Insert four M4 Round Head Hex screws (H) through Tube Adapter (F) and into Arm Mount (E). Secure with M4 Hex Key (N).



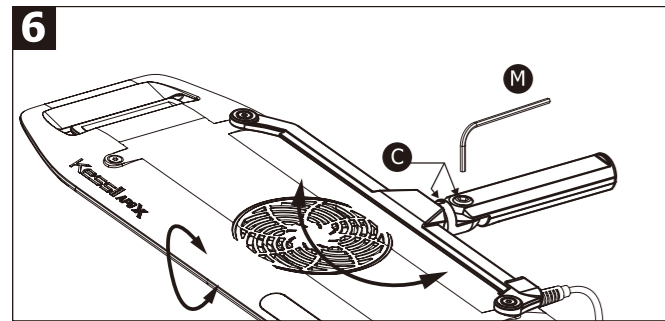
Use two Plastic Thumb Screws 3/8-16 (O) to secure Arm Mount (E) to aquarium. Put Arm (D) into the Tube Adapter (F) and adjust to the desired height. Markings facing the back. Secure them with two M5 Thumb Screws (L).



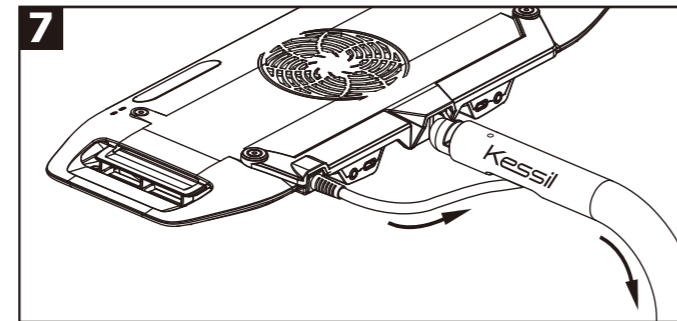
Remove the back two screws from the top side of AP9X, using M4 Hex Key (N). Keep these two screws for the next step.



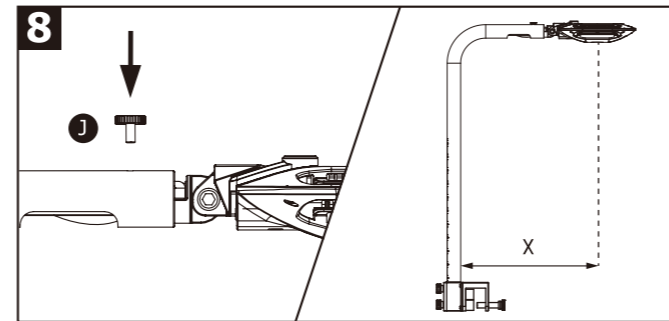
Use M4 Hex Key (N) to secure the AP9X Bracket + Slide Bar (A) and AP9X together with the two M4 hex socket cap screws from Step 4.



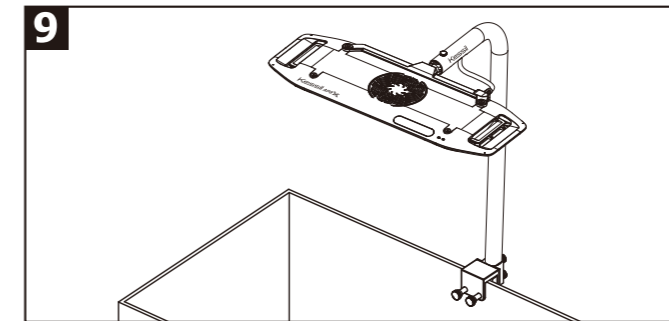
After adjusting the angle of the AP9X Bracket + Slide Bar (A), tighten and secure the M6 Cap Head Hex Screw (C) with M6 Hex Key (M). **There are two directions for adjustment: left/right and up/down.**



Fit the AP9X power cord through the slot on the Arm (D) and all the way to the bottom. Slide the AP9X and AP9X Bracket + Slide Bar (A) into Arm (D).



Adjust the position of the Slide Bar according to your aquarium width. Secure with M3 Thumb Screw (J). Length X should be half of your aquarium width. For 18" width, X=9"; For 24" width, X=12".



Installation completed. Please be cautious when making adjustments.