

# Extension Tube Quick Start Guide

## A Series

**I Qty 2 \* EXTENSION TUBE**



**II Qty 2 \* Coupling**  
(pre-installed with  
M4 ROUND HEAD  
HEX SCREW, L=5mm)



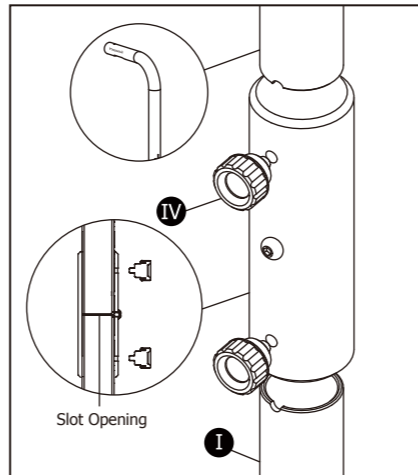
**III Qty 8 \* M4 PHILLIPS  
WOOD SCREW**



**IV Qty 4 \* M5 THUMB SCREW**

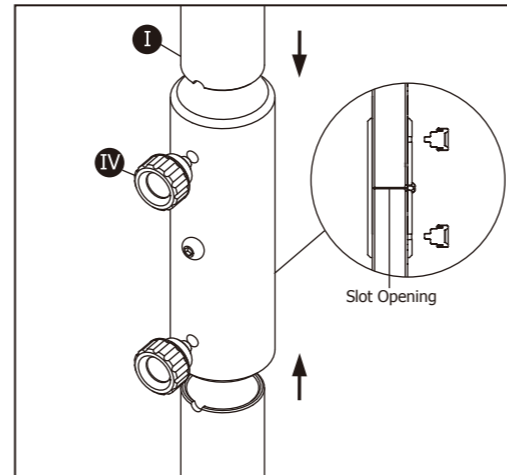


### Extension Unit Instruction



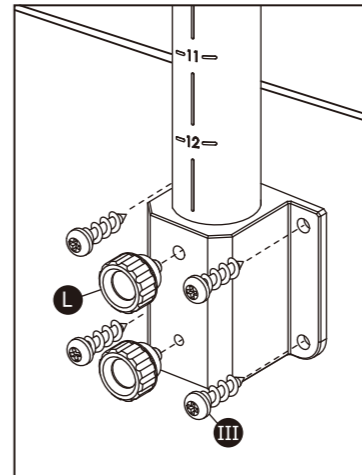
Insert Arm and Extension Tube (I) into Coupling (II) until they meet the slot opening. Use two M5 Thumb screws (IV) to secure both tubes.

**\*Mounting Arm needs to be purchased separately.**



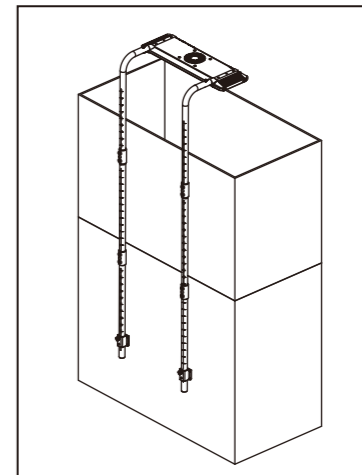
Insert both Extension Tubes (I) into Coupling (II) until they meet the slot opening. Use two M5 screws (IV) to secure both tubes.

**\*For longer extension (Optional).  
Require 2 sets of Extension Mounts for AP700 setup.**



Use four M4 Phillips Wood screws (III) to secure the Tube Adapter on wood stand. Put Extension Tube (I) into the Tube Adapter. Secure them with two M5 Thumb screws.

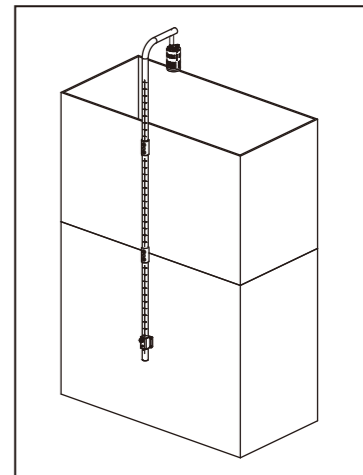
**\*Tube adapter and M5 Thumb screws are in the Mounting Arm box.**



Follow steps A4 to A10 (on Mounting Arm box) to complete installation.

**\*Flatten the AP700 cable before fitting into the arm.**

**AP700 display.**



Follow steps B1 to B4 (on Mounting Arm box) to complete installation.

**A1XX/A3XX display.**